



Electric Attitude Gyros LUN 1241

MIKROTECHNA PRAHA a.s.

Barrandova 409
143 11 Praha 4
Czech Republic
Tel.: +420 225 273 210
Fax: +420 225 273 211
E-mail: sales@mikrotechna.cz
<http://www.mikrotechna.cz/>

3-inch Electric Attitude Gyros

Description:

The rugged 3-inch Electric Attitude Gyro (indicator) is a direct reading instrument indicating pitch and roll (bank) attitude. Its operational range is through 360° both in pitch and roll. There is a field of controlled precession at pitch attitudes exceeding $\pm 70^\circ$. The primary display component is a spherical surface with a scale providing for pitch attitude indication within $\pm 20^\circ$. On reaching this limit a window in the display surface opens and a digital pitch angle presentation is displayed up to a value of $\pm 70^\circ$. The roll attitude is indicated on a roll attitude scale up to $\pm 90^\circ$. The display corresponds with viewing the earth's surface from an aircraft. The attitude gyro is provided with a caging gear, with an aircraft symbol (with position adjustable between $+10^\circ$ and 7° of pitch attitude) and with visual malfunction indication. All instruments are offered to comply with customer's specification and are mounted for easy servicing.

Options:

Inclination of the instrument panel: $0^\circ - 20^\circ$

Gyro voltage: 14 VDC or 28 VDC

Case: ARINC 408A 3ATI
Standard
- with slip indicator
- without adjustment of aircraft symbol

Lighting: 5 VDC, 14 VDC or 28 VDC
(white, red or NVIS green)

Pitch / roll indicator: pitch $0-70^\circ$ or $0-20^\circ$ / roll bottom or upper

Applicable Specification: TSO C4c

Display: Upper pitch display - blue (grey)
Lower pitch display - brown (black)
Roll dial - blue/brown (black)
Graduation - white (white)
Warning flag - red (red/white)
Airplane symbol - orange (yellow)
with red (yellow) central dot

Installation: By means of four screws with the aid of a clamp or a frame (case ARINC) or directly by means of three screws (case Standard)

Environmental (operating):

Temperature: -30°C to $+55^\circ\text{C}$ (-22°F to $+131^\circ\text{F}$)

Humidity: 95% maximum at $+50^\circ\text{C}$ (122°F)

Vibration: 5 to 55 Hz, 0.1 inch (2.5mm) max.;
10 to 40 Hz, 1.0 g max.;
40 to 2,000 Hz, 0.5 g max.

Altitude: -1,000 feet to 50,000 feet

Typical weight: 3.1 lbs (1.4 kg)



European distributor: **Adams Aviation, Supply Company Limited**
Hunter House
Biggin Hill Airport
Kent, TN16 3BN, U.K.

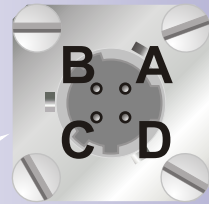
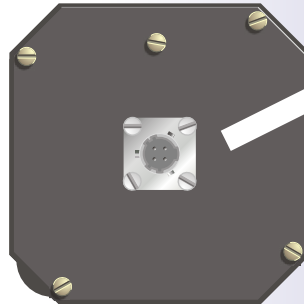
Tel.: +44 (0) 1959 576129
AOG: +44 (0) 7778 353640
Fax: +44 (0) 1959 576660
<http://www.adamsaviation.com>



Electric Attitude Gyros LUN 1241

MIKROTECHNA PRAHA a.s.

Barrandova 409
143 11 Praha 4
Czech Republic
Tel.: +420 225 273 210
Fax: +420 225 273 211
E-mail: sales@mikrotechna.cz
http://www.mikrotechna.cz/



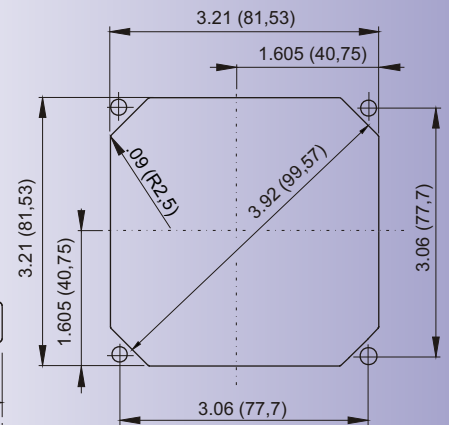
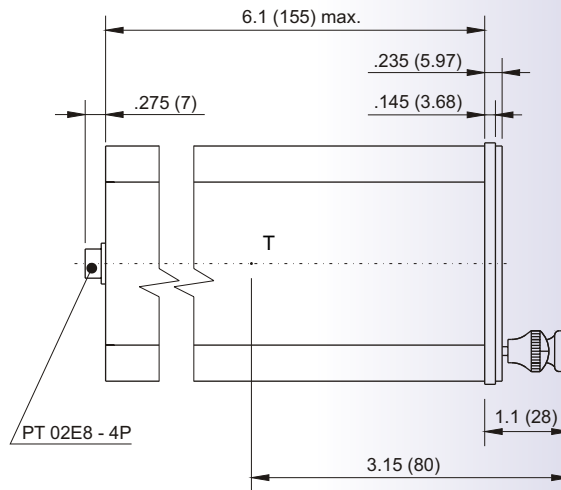
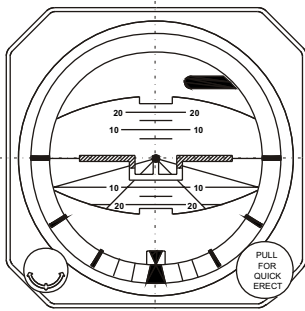
Gyro voltage: 14 VDC

- A** — Ground
- B** — +14VDC
- C** — Ground lighting
- D** — Lighting 5V/14V/28V

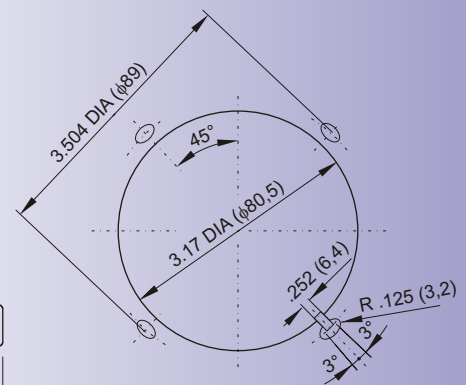
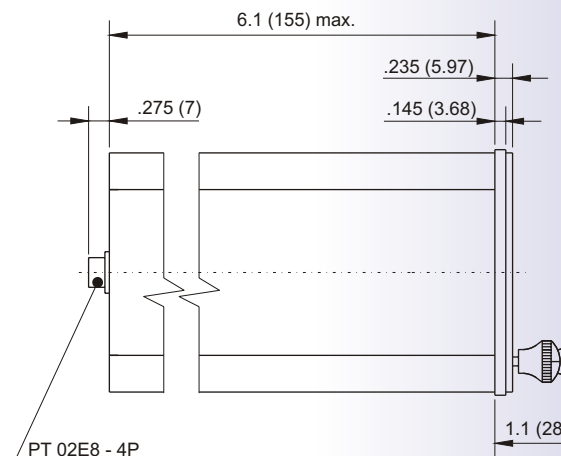
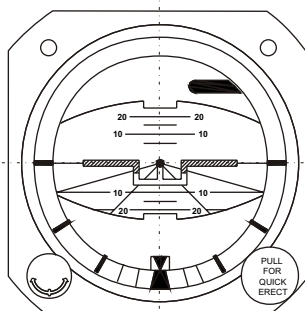
Gyro voltage: 28 VDC

- A** — Ground
- B** — Ground lighting
- C** — +28VDC
- D** — Lighting 5V/14V/28V

ARINC 408A 3ATI Case



Standard Case



Dimensions in inch (mm)

North American distributor:

Trans-Cal Industries, Inc.
16141 Cohasset Street
Van Nuys
CA91406-2908

Tel.: +1 818 7871221
800 4232913 (US only)
Fax: +1 818 7878916
http://www.trans-cal.com/