



# Turn Indicator LUN 1216

## MIKROTECHNA PRAHA a.s.

Barrandova 409  
143 11 Praha 4  
Czech Republic  
Tel.: +420 225 273 210  
Fax: +420 225 273 211  
E-mail: [sales@mikrotechna.cz](mailto:sales@mikrotechna.cz)  
<http://www.mikrotechna.cz/>

## 3-inch Turn Indicator

### Description:

Turn indicator is an instrument measuring an angular velocity within  $\pm 3^\circ/s$  of aircraft vertical axis which corresponds to parameters of the turn performed at speed of 350 km/h at the bank of  $45^\circ$ . Turn indicator incorporates a liquid level indicating a slip during turn. Reaching of gyro's operating speed is indicated by covering of OFF sign at turn indicator dial. The deflection greater than corresponding to an angular velocity of  $\pm 4^\circ/s$  is limited by a dead stop.

Model A:



### Options:

Model: A - turn and slip indicator  
B - turn coordinator

Lighting: No Lighting  
14 VDC  
28 VDC  
Lit specific feeding is mentioned on a lighting tray

### Product description:

Applicable Specification: JTSO-C3d, RTCA/DO-160D

Installation: By means of four screws

Lighting: Lighting is available upon request  
(white, red or NVIS green)

Model B:



### Environmental (operating):

Voltage: 12 to 32 VDC  
Temperature:  $-15^\circ\text{C}$  to  $+55^\circ\text{C}$  ( $5^\circ\text{F}$  to  $+131^\circ\text{F}$ )  
Humidity: 95% maximum at  $+50^\circ\text{C}$  ( $122^\circ\text{F}$ )  
Vibration: 1.5 g max.  
Altitude: -1,000 feet to 15,000 feet  
Typical weight: 1.39 lbs. (630 g)

European distributor: **Adams Aviation, Supply Company Limited**  
Hunter House  
Biggin Hill Airport  
Kent, TN16 3BN, U.K.

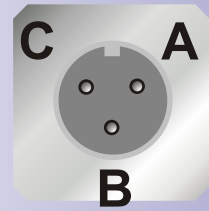
Tel.: +44 (0) 1959 576129  
AOG: +44 (0) 7778 353640  
Fax: +44 (0) 1959 576660  
<http://www.adamsaviation.com>



# Turn Indicator LUN 1216

## MIKROTECHNA PRAHA a.s.

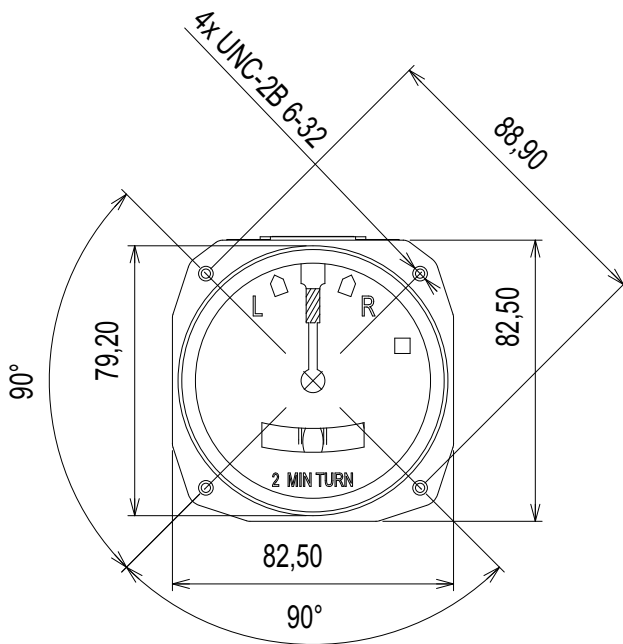
Barrandova 409  
143 11 Praha 4  
Czech Republic  
Tel.: +420 225 273 210  
Fax: +420 225 273 211  
E-mail: sales@mikrotechna.cz  
<http://www.mikrotechna.cz/>



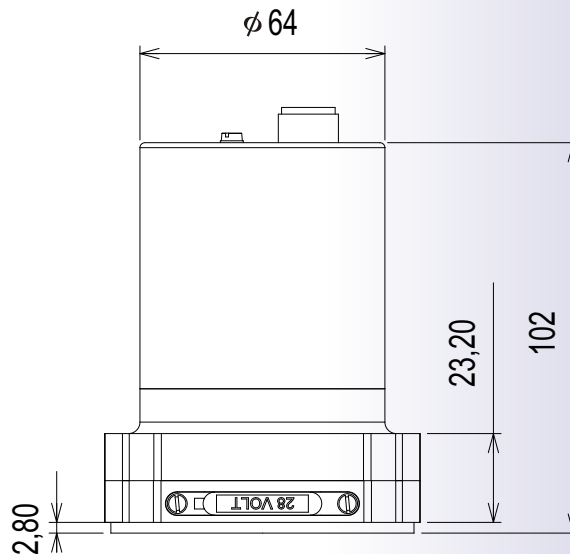
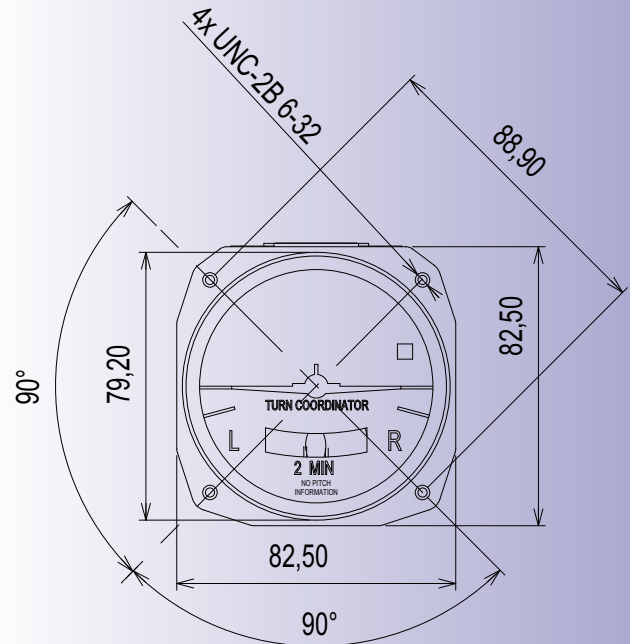
### PIN Connection

A	+12-32 VDC
B	Ground
C	NC

### Model A



### Model B



Dimensions in mm

North American distributor:

**Trans-Cal Industries, Inc.**  
16141 Cohasset Street  
Van Nuys  
CA91406-2908

Tel.: +1 818 7871221  
800 4232913 (US only)  
Fax: +1 818 7878916  
<http://www.trans-cal.com/>